



AEROS II 480W



AEROS II 720W



REMOTE CONTROL GEAR

LUMINAIRE SPECIFICATIONS

- Power 480W
720W
- Fitting Material Stainless Steel
- Optical Cover High Transparency Polycarbonate
- Ingress Protection IP66
- Impact Protection IK08
- Voltage 220 ~ 240 Vac 50 / 60Hz
- Electrical Safety Class Class I
- Operating Temperature -30 ~ +45°C
- Installation Mounting Bracket
- Surge Protections 10KV, 20KA

OPTIONAL FEATURES (UPON REQUEST)

- Driver Constant Current, 1-10V Dimming, DALI
- Beam Angle Narrow Beam
Medium Beam
Asymmetrical Beam
- Power Cable 2m (Pre-Wire)
5m, 10m, 15m & 20m (Optional)

LED MODULE SPECIFICATIONS

- LED Type 5050
- Color Temperature 3000K Warm White
4000K Neutral White
5000K Cool White
- Color Rendering Index (CRI) >70
>90 (Upon Request)
- L70 100,000 Hrs @ 25°C
- PCB Material Metal Core (Alumina)
- SMD Connector WAGO 2060 Series

COMPLIANCE STANDARD

- LED LM80, UL, RoHS
- Driver CE, EN62493, EN61347, EN50581, EN55015, EN61000, EN61547, EN62384
- Luminaire EN60598-1, EN60598-2-5, EN62493, EN55015, EN61547, EN61000, EN62471, CISPR 15

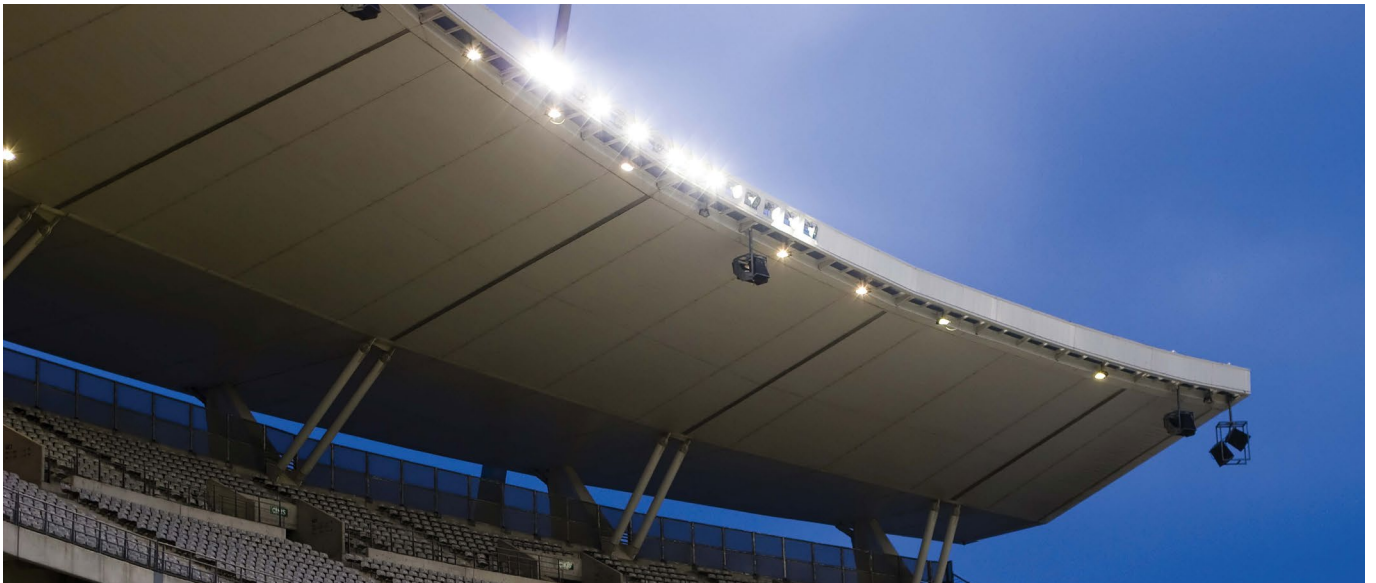
APPLICATION

- Sport Lightings, Stadium Lightings, Jetties & Highmasts

MEASUREMENT & ORDER CODE

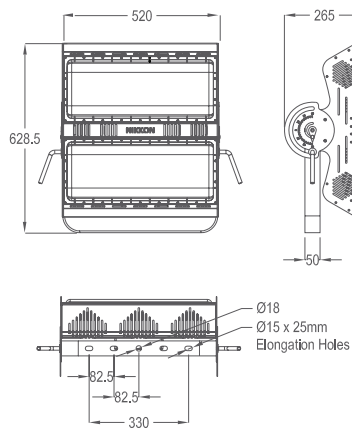
WATTAGE	ORDER CODE	NO. OF LEDs	TYPICAL LUMINOUS FLUX	TYPICAL WATTAGE	CARTON DIMENSION (L x W x H) mm	NETT WEIGHT
480W	K10130 480W	168	64550	480	672 x 576 x 330 770 x 420 x 110 (Control Gear)	19.0 kg + 10.5 kg (RCG)
720W	K10131 720W	252	96800	720	951 x 596 x 330 770 x 420 x 110 (Control Gear)	23.0 kg + 13.75 kg (RCG)

* Please indicate LED color temperature and beam angle when ordering.
* All result tested base on 5000K CCT LEDs.

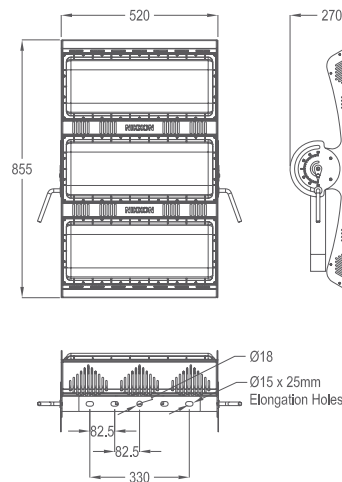


DIMENSION

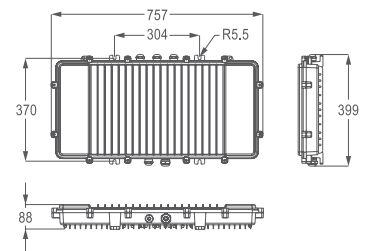
K10130 480W



K10131 720W

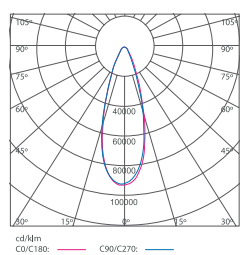


Control Gear

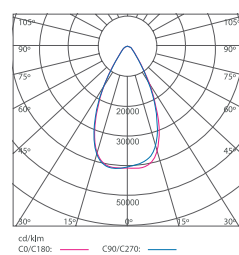


PHOTOMETRIC

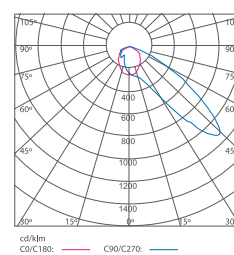
Narrow Beam



Medium Beam



Asymmetrical Beam



Note: All specifications are subject to change without prior notice for product improvement. Images are for illustrative purposes only.