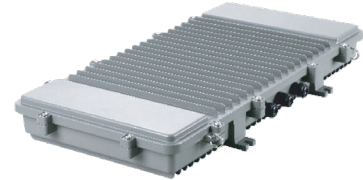




AEROS 360W



AEROS 540W



REMOTE CONTROL GEAR

LUMINAIRE SPECIFICATIONS

- Power 360W
540W
- Fitting Material Stainless Steel
- Optical Cover High Transparency Polycarbonate
- Ingress Protection IP66
- Impact Protection IK08
- Voltage 220 ~ 240 Vac 50 / 60Hz
- Electrical Safety Class Class I
- Operating Temperature -30 ~ +45°C
- Installation Mounting Bracket
- Surge Protections 10KV, 20KA

OPTIONAL FEATURES (UPON REQUEST)

- Driver Constant Current, 1-10V Dimming, DALI
- Beam Angle 51° (MB51)
19° (NB19)
- Control Intelligent Light Control System
- Power Cable 2m (Pre-Wire)
5m, 10m, 15m & 20m (Optional)

LED MODULE SPECIFICATIONS

- Color Temperature 3000K Warm White
4000K Neutral White
5000K Cool White
- Color Rendering Index (CRI) >70
- L70 100,000 Hrs @ 25°C
- PCB Material Ceramic (Alumina Substrate)
- PCB Trace Silver Conductor (Ag)
- SMD Connector WAGO 2060 Series

COMPLIANCE STANDARD

- LED LM80, UL, RoHS
- Driver CE, EN62493, EN61347, EN50581, EN55015, EN61000, EN61547, EN62384
- Luminaire EN60598-1, EN60598-2-5, EN62493, EN55015, EN61547, EN61000, EN62471, CISPR 15



APPLICATION

- Sport & Facade Lightings, Jetties, Highmasts, Sea Ports, Tower Cranes & Stadium Lightings

MEASUREMENT & ORDER CODE

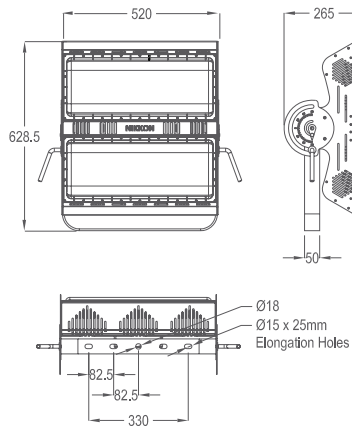
WATTAGE	ORDER CODE	NO. OF LEDS	TYPICAL LUMINOUS FLUX	TYPICAL WATTAGE	CARTON DIMENSION (L x W x H) mm	NETT WEIGHT
360W	K10130 360W	168	46600	388	672 x 576 x 330 770 x 420 x 110 (Control Gear)	19.0 kg + 10.5 kg (RCG)
540W	K10131 540W	252	72000	585	951 x 596 x 330 770 x 420 x 110 (Control Gear)	23.0 kg + 13.75 kg (RCG)

* Please indicate LED color temperature and beam angle when ordering.
* All result tested base on 5000K CCT LEDs.

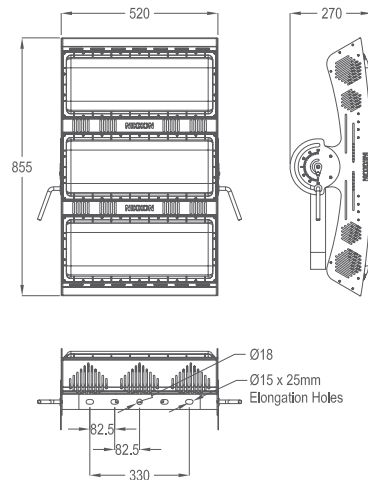


DIMENSION

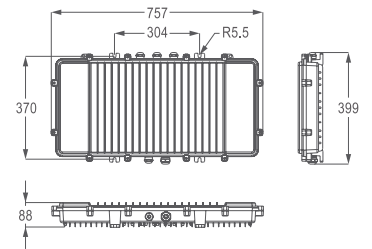
K10130 360W



K10131 540W

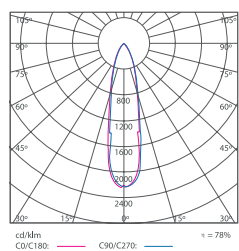


Control Gear

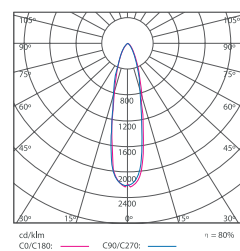


PHOTOMETRIC

K10130 360W



K10131 540W



Note: All specifications are subject to change without prior notice for product improvement. Images are for illustrative purposes only.