



EASYBAY SURFACE



EASYBAY RECESSED

LUMINAIRE SPECIFICATIONS

- Power 100W
120W
150W
- Optional Wattage (Upon Request) 50W
200W
250W
- Fitting Material Cold Roll Steel
- Fitting Color White, Akzo Nobel RAL9010
- Optical Cover 92% Transparency Frosted PC
- Heat Sink ADC12 Die-Cast Aluminium
Non-Corrosive
- Ingress Protection IP20
- Impact Protection IK10
- Voltage 220 ~ 240 Vac 50 / 60Hz
- Electrical Safety Class Class I
- Operating Temperature -30 ~ +45°C
- Installation Surface Mounting (EASYBAY Surface)
Opening Hole : 250 x 310mm
(EASYBAY Recessed)
- Surge Protections 10KV, 20KA

LED MODULE SPECIFICATIONS

- Beam Angle 60°
90°
120°

MEASUREMENT & ORDER CODE

WATTAGE	ORDER CODE	NO. OF LEDS	TYPICAL LUMINOUS FLUX	Lm/W	TYPICAL WATTAGE
100W	EASYBAY 100W Surface	240	16000	163.26	98.0W
120W	EASYBAY 120W Surface	240	20000	169.49	118.0W
150W	EASYBAY 150W Surface	240	25000	169.14	147.8W
100W	EASYBAY 100W Recessed	240	16000	163.26	98.0W
120W	EASYBAY 120W Recessed	240	20000	169.49	118.0W
150W	EASYBAY 150W Recessed	240	25000	169.14	147.8W

* All result tested base on 5700K CCT LEDs.

LED MODULE SPECIFICATIONS

- LED Type 3030
- Color Temperature 5700K Daylight
- Color Rendering Index (CRI) >70
- L70 100,000 Hrs @ 25°C
- PCB Material Metal Core

COMPLIANCE STANDARD

- LED LM80, UL, RoHS
- Driver CE, EN62493, EN61347, EN50581, EN55015, EN61000, EN61547, EN62384
- Luminaire EN60598-1, EN60598-2-1, EN62493, EN55015, EN61547, EN61000, EN62471, CISPR 15



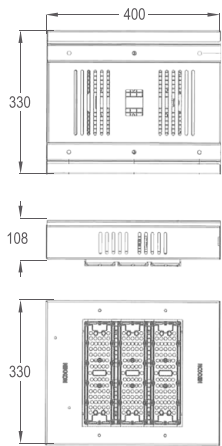
APPLICATION

- Petrol Kiosks, Toll Plazas, Canopy Lightings, Warehouses, Gymnasiums & Exhibition Halls

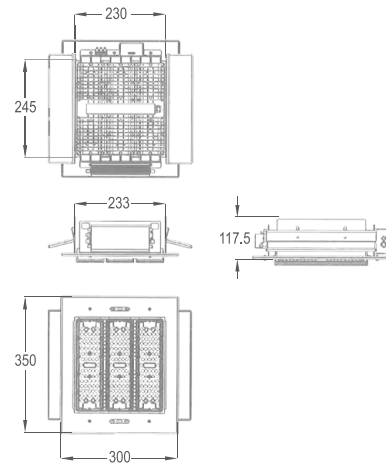


DIMENSION

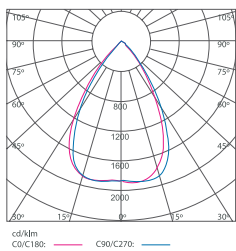
EASYBAY SURFACE
100W / 120W / 150W



EASYBAY RECESSED
100W / 120W / 150W



PHOTOMETRIC



Note: All specifications are subject to change without prior notice for product improvement. Images are for illustrative purposes only.