

NIKKON®

MURA  
STREET LANTERN  
SERIES



# NIKKON®

## MURA-S STREET LANTERN



MURA-S



### LUMINAIRE SPECIFICATIONS

- Power 30W  
40W  
50W
- Fitting Material Non-Corrosive-Die Cast Aluminium
- Fitting Color White Aluminium, RAL9006
- Optical Cover Clear Tempered Glass
- Ingress Protection IP66
- Impact Protection IK08
- Voltage 220-240Vac 50 / 60Hz
- Electrical Safety Class Class 1  
Class 2 (Upon Request)
- Operating Temperature -30 ~ +45°C
- Installation Pole Top, Side Entry Ø60mm
- Surge Protection 10KV, 20KA
- Beam Angle 150° x 80° / Type II

### LED MODULE SPECIFICATIONS

- LED Chips LUMILEDS 5050
- Color Temperature 3000K, 4000K, 5000K
- Color Rendering Index (CRI) >70
- L70 100,000 Hrs @ 25°C
- PCB Material Metal Core

### FEATURES

- Clip Tool Free Opening
- Dimming 1-10V
- Spigot Adjustable 0-10°
- Nema Socket 7-pin (Upon Request)

### COMPLIANCE STANDARD

- LED LM80, UL, RoHS
- Driver CE, EN62493, EN61347, EN50581, EN55015, EN61000, EN61547, EN62384

### APPLICATION

- Pathways, Foot Paths, Parks, Car Parks, Access Ways, Road Lightings, Residential Areas

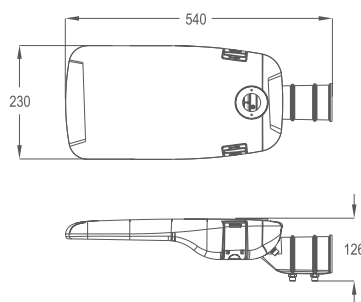
### MEASUREMENT & ORDER CODE

WATTAGE	LED QUANTITY	TYPICAL FLUX, LM	TYPICAL WATTAGE	CARTON DIMENSION (L x W x H)mm	NETT WEIGHT
30W	18	4500	32W	585 x 285 x 180	4.7kg
40W	18	5400	40W	585 x 285 x 180	4.7kg
50W	18	6800	52W	585 x 285 x 180	4.7kg

\* All measurement is base on 5000K CCT

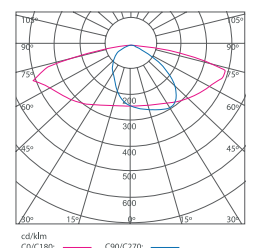
### DIMENSION

MURA-S



### PHOTOMETRIC

MURA-S 40W



# NIKKON®

## MURA-M STREET LANTERN



MURA-M



### LUMINAIRE SPECIFICATIONS

- Power 60W  
80W  
100W
- Fitting Material Non-Corrosive-Die Cast Aluminium
- Fitting Color White Aluminium, RAL9006
- Optical Cover Clear Tempered Glass
- Ingress Protection IP66
- Impact Protection IK08
- Voltage 220-240Vac 50 / 60Hz
- Electrical Safety Class Class 1  
Class 2 (Upon Request)
- Operating Temperature -30 ~ +45°C
- Installation Pole Top, Side Entry Ø60mm
- Surge Protection 10KV, 20KA
- Beam Angle 150° x 80° / Type II

### LED MODULE SPECIFICATIONS

- LED Chips LUMILEDS 5050
- Color Temperature 3000K, 4000K, 5000K
- Color Rendering Index (CRI) >70
- L70 100,000 Hrs @ 25°C
- PCB Material Metal Core

### FEATURES

- Safety Cut-Off Switch
- Clip Tool Free Opening
- Dimming 1-10V
- Spigot Adjustable 0-10°
- Nema Socket 7-pin (Upon Request)

### COMPLIANCE STANDARD

- LED LM80, UL, RoHS
- Driver CE, EN62493, EN61347, EN50581, EN55015, EN61000, EN61547, EN62384

### APPLICATION

- Pathways, Foot Paths, Parks, Car Parks, Access Ways, Road Lightings, Residential Areas

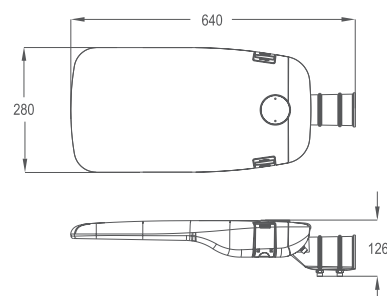
### MEASUREMENT & ORDER CODE

WATTAGE	LED QUANTITY	TYPICAL FLUX, LM	TYPICAL WATTAGE	CARTON DIMENSION (L x W x H)mm	NETT WEIGHT
60W	24	8700	63W	685 x 345 x 180	6.5kg
80W	32	11600	84W	685 x 345 x 180	6.8kg
100W	40	14500	105W	685 x 345 x 180	6.9kg

\* All measurement is base on 5000K CCT

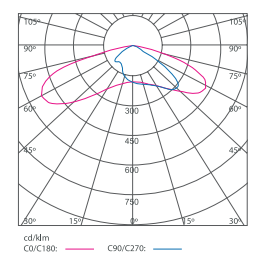
### DIMENSION

MURA-M



### PHOTOMETRIC

MURA-M 100W



Note: All specifications are subject to change without prior notice for product improvement. Images are for illustrative purposes only.

# NIKKON®

## MURA-L STREET LANTERN



MURA-L



### LUMINAIRE SPECIFICATIONS

- Power 120W  
150W  
180W
- Fitting Material Non-Corrosive-Die Cast Aluminium
- Fitting Color White Aluminium, RAL9006
- Optical Cover Clear Tempered Glass
- Ingress Protection IP66
- Impact Protection IK08
- Voltage 220-240Vac 50 / 60Hz
- Electrical Safety Class Class 1  
Class 2 (Upon Request)
- Operating Temperature -30 ~ +45°C
- Installation Pole Top, Side Entry Ø60mm
- Surge Protection 10KV, 20KA
- Beam Angle 150° x 80° / Type II

### LED MODULE SPECIFICATIONS

- LED Chips LUMILEDS 5050
- Color Temperature 3000K, 4000K, 5000K
- Color Rendering Index (CRI) >70
- L70 100,000 Hrs @ 25°C
- PCB Material Metal Core

### FEATURES

- Safety Cut-Off Switch
- Clip Tool Free Opening
- Dimming 1-10V
- Spigot Adjustable 0-10°
- Nema Socket 7-pin (Upon Request)

### COMPLIANCE STANDARD

- LED LM80, UL, RoHS
- Driver CE, EN62493, EN61347, EN50581, EN55015, EN61000, EN61547, EN62384

### APPLICATION

- Pathways, Foot Paths, Parks, Car Parks, Access Ways, Road Lightings, Residential Areas

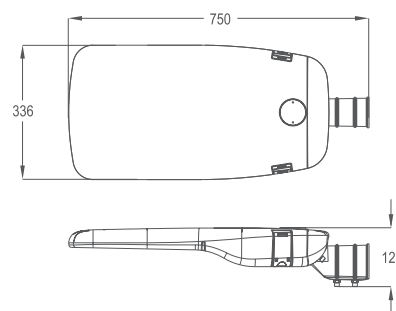
### MEASUREMENT & ORDER CODE

WATTAGE	LED QUANTITY	TYPICAL FLUX, LM	TYPICAL WATTAGE	CARTON DIMENSION (L x W x H)mm	NETT WEIGHT
120W	48	17400	120W	795 x 390 x 180	9.3kg
150W	56	21500	152W	795 x 390 x 180	9.5kg
180W	64	25400	181W	795 x 390 x 180	9.7kg

\* All measurement is base on 5000K CCT

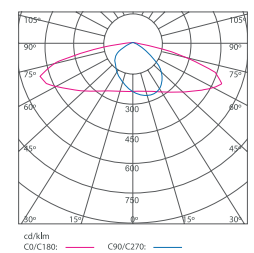
### DIMENSION

MURA-L



### PHOTOMETRIC

MURA-L 150W





# MURA-XL STREET LANTERN



MURA-XL



## LUMINAIRE SPECIFICATIONS

- Power
  - 200W
  - 220W
  - 250W
  - 280W
  - 300W
- Fitting Material
  - Non-Corrosive-Die Cast Aluminium
- Fitting Color
  - White Aluminium, RAL9006
- Optical Cover
  - Clear Tempered Glass
- Ingress Protection
  - IP66
- Impact Protection
  - IK08
- Voltage
  - 220-240Vac 50 / 60Hz
- Electrical Safety Class
  - Class 1
  - Class 2 (Upon Request)
- Operating Temperature
  - 30 ~ +45°C
- Installation
  - Pole Top, Side Entry Ø60mm
- Surge Protection
  - 10KV, 20KA
- Beam Angle
  - 150° x 80° / Type II

## LED MODULE SPECIFICATIONS

- LED Chips
  - LUMILEDS 5050
- Color Temperature
  - 3000K, 4000K, 5000K
- Color Rendering Index (CRI)
  - >70
- L70
  - 100,000 Hrs @ 25°C
- PCB Material
  - Metal Core

## FEATURES

- Safety
  - Cut-Off Switch
- Clip
  - Tool Free Opening
- Dimming
  - 1-10V
- Spigot
  - Adjustable 0-10°
- Nema Socket
  - 7-pin (Upon Request)

## COMPLIANCE STANDARD

- LED
  - LM80, UL, RoHS
- Driver
  - CE, EN62493, EN61347, EN50581, EN55015, EN61000, EN61547, EN62384

## APPLICATION

- Pathways, Foot Paths, Parks, Car Parks, Access Ways, Road Lightings, Residential Areas

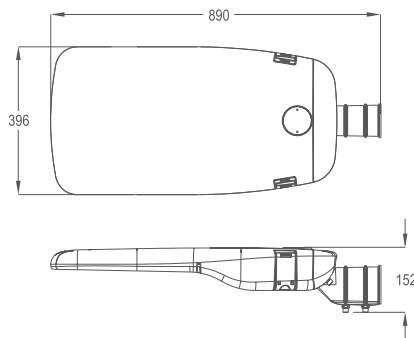
## MEASUREMENT & ORDER CODE

WATTAGE	LED QUANTITY	TYPICAL FLUX, LM	TYPICAL WATTAGE	CARTON DIMENSION (L x W x H) mm	NETT WEIGHT
200W	100	28900	200 W	935 x 445 x 215	12.3kg
220W	100	31100	220 W	935 x 445 x 215	12.3kg
250W	120	36600	252 W	935 x 445 x 215	12.8kg
280W	120	39900	282 W	935 x 445 x 215	12.8kg
300W	120	40300	306 W	935 x 445 x 215	12.8kg

\* All measurement is base on 5000K CCT

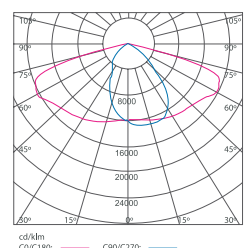
## DIMENSION

MURA-XL



## PHOTOMETRIC

MURA-XL 300W



# ACHIEVING LIVABLE CITY ENVIRONMENT





## HQ, MALAYSIA

### SUCCESS ELECTRONICS & TRANSFORMER MANUFACTURER SDN. BHD.

199001009281 (200853-K)

(A wholly owned subsidiary of Success Transformer Corporation Berhad)

Hotline within Malaysia: 1300 88 2788

Tel : +603 6279 2800

Fax : +603 6157 2722

Website : [www.success.com.my](http://www.success.com.my)

[www.nikkonlighting.com](http://www.nikkonlighting.com)

#### Sales Enquiry

Domestic: [ses@success.com.my](mailto:ses@success.com.my)

Overseas: [export@success.com.my](mailto:export@success.com.my)

## GLOBAL NETWORKS

### SINGAPORE

NIKKON LIGHTING & ELECTRICAL PTE. LTD.

Tel : +65 6742 4377

Fax : +65 6742 4366

Email : [enquiry@nikkonlighting.com.sg](mailto:enquiry@nikkonlighting.com.sg)

Website : [www.nikkonlighting.com.sg](http://www.nikkonlighting.com.sg)

### SINGAPORE

SUCCESS TRANSFORMER PTE. LTD.

Tel : +65 6742 4808

Fax : +65 6742 4708

Email : [enquiry.stpl@success.com.my](mailto:enquiry.stpl@success.com.my)

Website : [www.qpstransformers.com](http://www.qpstransformers.com)

### INDONESIA

PT BOXON NIKKON JAYAINDO

Tel : +62 21 2265 2860

Fax : +62 21 2265 2745

Email : [marketing@nikkonlighting.co.id](mailto:marketing@nikkonlighting.co.id)

Website : [www.nikkonlighting.co.id](http://www.nikkonlighting.co.id)

### THAILAND

NIKKON LIGHTING (THAILAND) CO., LTD.

Email : [export@success.com.my](mailto:export@success.com.my)

Website : [www.nikkonlighting.co.th](http://www.nikkonlighting.co.th)



[www.nikkonlighting.com](http://www.nikkonlighting.com)

**NIKKON®** is a registered trademark of Success Electronics & Transformer Manufacturer Sdn. Bhd. (SUCCESS) in Malaysia and other countries. SUCCESS is a private limited company wholly owned by Success Transformer Corporation Berhad (STC). The company is incorporated in Malaysia with business registration number 199001009281 (200853-K) since 1980. SUCCESS is focusing in designing and distribution of industrial lighting, transformers & electrical apparatus and having its principal place of business at No. 3, 5 & 7, Jalan TSB 8, Taman Industri Sungai Buloh, 47000 Sungai Buloh, Selangor Darul Ehsan, West Malaysia. Company website: [www.success.com.my](http://www.success.com.my) / Corporate website: [www.stcgroup.com.my](http://www.stcgroup.com.my).