

SERI LED ROAD LIGHTING LUMINAIRES



LUMINAIRE SPECIFICATIONS

• Power	SERI-S 100W SERI-S 120W SERI-S 150W SERI-M 180W SERI-M 200W
• Enclosure Material	Die-Cast Aluminium
• Optical Cover	95% Transparency Tempered Glass
• Gasket Material	Silicone
• Fitting Color	RAL 9006 Grey Durable Polyester Epoxy Powder Coating
• Operating Temperature	-30 ~ +50°C
• Input Voltage	220~ 240 Vac 50 / 60 Hz
• Power Factor	>0.9
• Surge Protection Device (SPD)	20kV, 20kA
• Insulation Classification	Class I
• Ingress Protection	IP66
• Impact Protection	IK08
• Spigot Mounting	0°-15° Tilting Ø48 - Ø60mm Post Top / Side Entry (Standard)
• NEMA Compatible	Standard NEMA (7-pin, ANSI C136.41) Dimming Receptacle (Upon Request)

APPLICATION

Pedestrian Areas, Residential Areas, Rural Roads,
Urban Roads & Expressway Lightings

LED MODULE SPECIFICATIONS

• LED Source	5050
• CCT	3000K Warm White 4000K Neutral White 5000K Cool White (4000K & 5000K Upon Request)
• Lumen	≥150 lm / Watt
• CRI	Min 70
• L70	50,000 Hrs
• PCB Material	Metal Core
• Lens (94% Efficiency)	Type II Type III

COMPLIANCE STANDARD

• LED	Performance - LM80 Environmental - RoHS
• LED DRIVER	Electromagnetic Compatibility (EMC) - EN55015, IEC/EN61000 IEC/EN61547, IEC CISPR Safety - IEC/EN61347, EN62384
• LUMINAIRE	Safety - IEC60598-1, IEC60598-2-3, IEC62471, IEC62031 Electromagnetic Compatibility (EMC) - IEC62471, IEC61000, IEC61547, IEC62493 Performance - LM79, IEC62722 *Compliance with SIRIM Product Certification and JKR EMAL Certificate
• SPD	Safety - IEC61643-11

MEASUREMENT & ORDER CODE

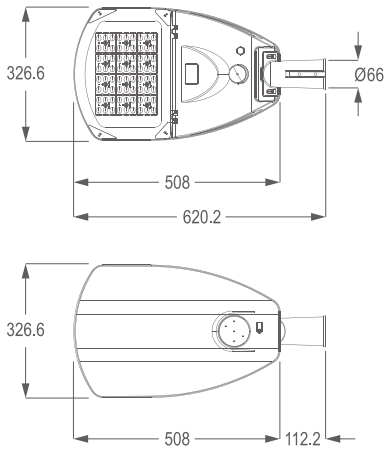
WATTAGE	ORDER CODE	NO. OF LEDs	TYPICAL LUMINOUS FLUX	CARTON DIMENSION (L x W x H) mm	NETT WEIGHT
100W	SERI-S 100W	72	16000	530 x 385 x 140	6.0 kg
120W	SERI-S 120W	72	18600	530 x 385 x 140	6.1 kg
150W	SERI-S 150W	72	22500	530 x 385 x 140	6.1 kg
180W	SERI-M 180W	120	27900	650 x 385 x 140	7.9 kg
200W	SERI-M 200W	120	32000	650 x 385 x 140	7.9 kg

* All result tested base on 3000K CCT LEDs.

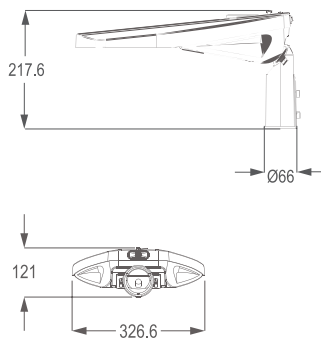


DIMENSION

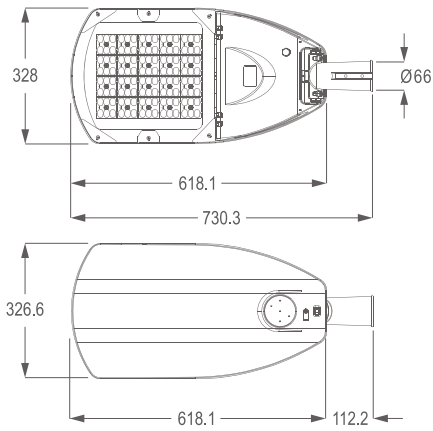
SERI-S-Side Entry



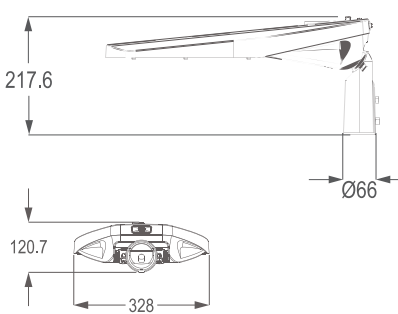
SERI-S-Post Top



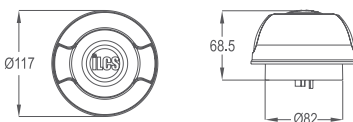
SERI-M-Side Entry



SERI-M-Post Top

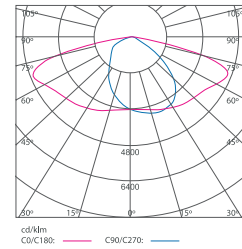


Light Control Unit



PHOTOMETRIC

SERI-S



SERI-M

