



LUMINAIRE SPECIFICATIONS

• Power	SIGMA-M PRO 30W SIGMA-M PRO 40W SIGMA-M PRO 50W SIGMA-M PRO 60W SIGMA-M PRO 70W SIGMA-M PRO 80W SIGMA-M PRO 90W SIGMA-M PRO 100W SIGMA-M PRO 120W SIGMA-M PRO 150W
• Enclosure Material	Die-Cast Aluminium
• Optical Cover	95% Transparency Tempered Glass
• Gasket Material	Silicone Rubber Foam
• Fitting Color	Dark Grey Durable Polyester Epoxy Powder Coating
• Operating Temperature	-30 ~ +50°C
• Input Voltage	220 ~ 240 Vac 50 / 60 Hz
• Power Factor	>0.9
• Surge Protection Device (SPD)	20kV, 20kA (20kV, 25kA Upon Request)
• Insulation Classification	Class I
• Ingress Protection	IP66
• Impact Protection	IK09
• Spigot Mounting	0°-15° Tilting Ø48 - Ø60mm Post Top / Side Entry (Standard)

LED MODULE SPECIFICATIONS

• LED Source	5050
• CCT	3000K Warm White 4000K Neutral White 5000K Cool White (Other CCT Upon Request)
• Lumen	≥140 lm / Watt
• CRI	Min 70
• L70	100,000 Hrs @ 25°C
• PCB Material	Metal Core (UL Certified)
• Lens (94% Efficiency)	Type II Type III

COMPLIANCE STANDARD

• LED	Performance - LM80 Safety - UL Environmental - RoHS
• LED DRIVER	Electromagnetic Compatibility (EMC) - EN55015, IEC/EN61000 IEC/EN61547, IEC CISPR Safety - IEC/EN61347, EN62384
• LUMINAIRE	Safety - IEC60598-1, IEC60598-2-3, IEC62471, IEC62031 Electromagnetic Compatibility (EMC) - IEC62471, IEC61000, IEC61547, IEC62493 Performance - LM79, IEC62722
• SPD	Safety - IEC61643-11

APPLICATION

Pathways, Car Parks, Foot Paths, Access Ways, Parks
Road Lightings, Residential Areas & Pedestrian Areas

MEASUREMENT & ORDER CODE

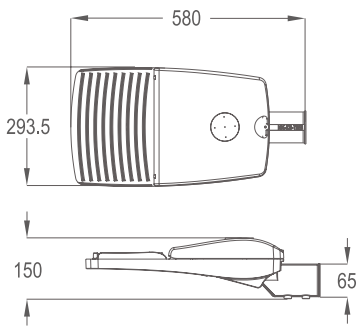
WATTAGE	ORDER CODE	NO. OF LEDS	LUMEN	CARTON DIMENSION (L x W x H) mm	NETT WEIGHT
30W	SIGMA-M PRO 30W	32	4500	495 x 315 x 205	6.83 kg
40W	SIGMA-M PRO 40W	32	6000	495 x 315 x 205	6.83 kg
50W	SIGMA-M PRO 50W	32	7500	495 x 315 x 205	6.86 kg
60W	SIGMA-M PRO 60W	32	9000	495 x 315 x 205	6.86 kg
70W	SIGMA-M PRO 70W	48	9800	495 x 315 x 205	7.05 kg
80W	SIGMA-M PRO 80W	48	11200	495 x 315 x 205	7.05 kg
90W	SIGMA-M PRO 90W	48	13500	495 x 315 x 205	7.05 kg
100W	SIGMA-M PRO 100W	72	16000	495 x 315 x 205	7.22 kg
120W	SIGMA-M PRO 120W	72	18600	495 x 315 x 205	7.22 kg
150W	SIGMA-M PRO 150W	72	22500	495 x 315 x 205	7.30 kg

* All result tested base on 4000K CCT LEDs.

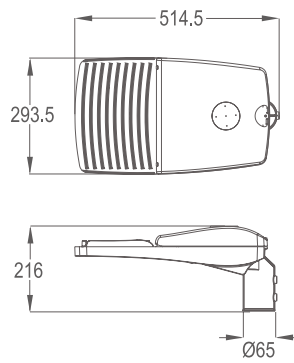


DIMENSION

SIGMA-M PRO Side Entry

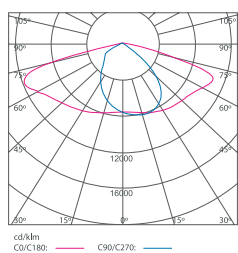


SIGMA-M PRO Post Top

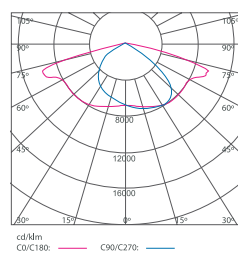


PHOTOMETRIC

Type II



Type III



Note: All specifications are subject to change without prior notice for product improvement. Images are for illustrative purposes only.



LUMINAIRE SPECIFICATIONS

• Power	SIGMA-L PRO 180W SIGMA-L PRO 200W SIGMA-L PRO 220W SIGMA-L PRO 240W SIGMA-L PRO 250W SIGMA-L PRO 260W SIGMA-L PRO 280W
• Enclosure Material	Die-Cast Aluminium
• Optical Cover	95% Transparency Tempered Glass
• Gasket Material	Silicone Rubber Foam
• Fitting Color	Dark Grey Durable Polyester Epoxy Powder Coating
• Operating Temperature	-30 ~ +50°C
• Input Voltage	277 ~ 480 Vac 50 / 60 Hz
• Power Factor	>0.9
• Surge Protection Device (SPD)	20kV, 25kA
• Insulation Classification	Class I
• Ingress Protection	IP66
• Impact Protection	IK09
• Spigot Mounting	0°-15° Tilting Ø48 - Ø60mm Post Top / Side Entry (Standard)

LED MODULE SPECIFICATIONS

• LED Source	5050
• CCT	3000K Warm White 4000K Neutral White 5000K Cool White (Other CCT Upon Request)
• Lumen	≥140 lm / Watt
• CRI	Min 70
• L70	100,000 Hrs @ 25°C
• PCB Material	Metal Core (UL Certified)
• Lens (94% Efficiency)	Type II Type III

COMPLIANCE STANDARD

• LED	Performance - LM80 Safety - UL Environmental - RoHS
• LED DRIVER	Electromagnetic Compatibility (EMC) - EN55015, IEC/EN61000 IEC/EN61547, IEC CISPR Safety - IEC/EN61347, EN62384
• LUMINAIRE	Safety - IEC60598-1, IEC60598-2-3, IEC62471, IEC62031 Electromagnetic Compatibility (EMC) - IEC62471, IEC61000, IEC61547, IEC62493 Performance - LM79, IEC62722
• SPD	Safety - IEC61643-11

APPLICATION

Pedestrian Areas, Residential Areas, Rural Roads
Urban Roads & Expressway Lightings

MEASUREMENT & ORDER CODE

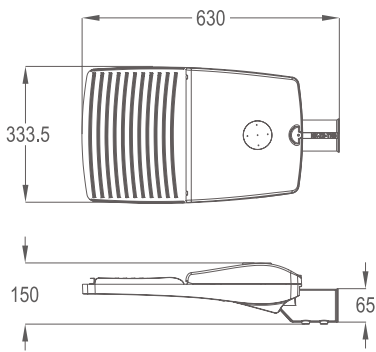
WATTAGE	ORDER CODE	NO. OF LEDS	LUMEN	CARTON DIMENSION (L x W x H) mm	NETT WEIGHT
180W	SIGMA-L PRO 180W	96	27000	545 x 350 x 205	8.00 kg
200W	SIGMA-L PRO 200W	96	30000	545 x 350 x 205	8.00 kg
220W	SIGMA-L PRO 220W	96	33000	545 x 350 x 205	8.90 kg
240W	SIGMA-L PRO 240W	96	36000	545 x 350 x 205	8.90 kg
250W	SIGMA-L PRO 250W	128	37500	545 x 350 x 205	8.90 kg
260W	SIGMA-L PRO 260W	128	37700	545 x 350 x 205	8.90 kg
280W	SIGMA-L PRO 280W	128	40600	545 x 350 x 205	8.90 kg

* All result tested base on 4000K CCT LEDs.

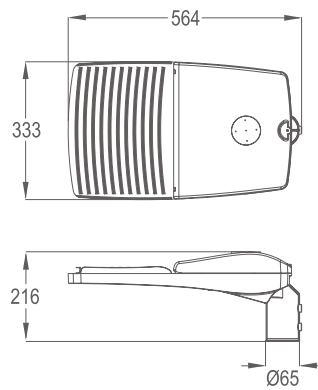


DIMENSION

SIGMA-L PRO Side Entry

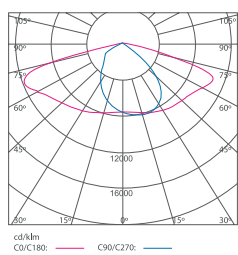


SIGMA-L PRO Post Top

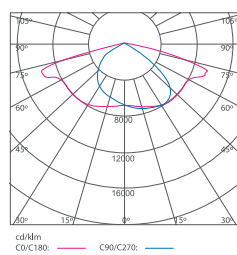


PHOTOMETRIC

Type II



Type III



Note: All specifications are subject to change without prior notice for product improvement. Images are for illustrative purposes only.