

# NIKKON®

## SIGMA-M LED STREET LANTERN



### LUMINAIRE SPECIFICATIONS

• Power	SIGMA-M 60W SIGMA-M 90W SIGMA-M 100W SIGMA-M 120W SIGMA-M 150W
• Enclosure Material	Die Cast Aluminium
• Optical Cover	95% Transparency Tempered Glass
• Gasket Material	Silicone Rubber Foam
• Fitting Color	Dark Grey Durable Polyester Epoxy Powder Coating
• Operating Temperature	-30 ~ +50°C
• Input Voltage	220 ~ 240 Vac 50 / 60 Hz
• Power Factor	>0.9
• Surge Protection Device (SPD)	20kV, 20kA (20kV, 25kA Upon Request)
• Insulation Classification	Class I
• Ingress Protection	IP66
• Impact Protection	IK09
• Spigot Mounting	0°-15° Tilting Ø48 - Ø60mm Post Top / Side Entry (Standard)

### APPLICATION

- Sigma M - Pathways, Car Parks, Foot Paths, Access Ways, Parks  
Road Lightings, Residential Areas & Pedestrian Areas

### LED MODULE SPECIFICATIONS

• LED Source	5050
• CCT	3000K Warm White 4000K Neutral White 5000K Cool White (Other CCT Upon Request)
• Lumen	≥140 lm / Watt
• CRI	Min 70
• L70	100,000 Hrs @ 25°C
• PCB Material	Metal Core (UL Certified)
• Lens (94% Efficiency)	Type II Type III

### COMPLIANCE STANDARD

• LED	Performance - LM80 Safety - UL Environmental - RoHS
• LED DRIVER	Electromagnetic Compatibility (EMC) - EN55015, IEC/EN61000 IEC/EN61547, IEC CISPR Safety - IEC/EN61347, EN62384
• LUMINAIRE	Safety - IEC60598-1, IEC60598-2-3, IEC62471, IEC62031 Electromagnetic Compatibility (EMC) - IEC62471, IEC61000, IEC61547, IEC62493 Performance - LM79, IEC62722
• SPD	Safety - IEC61643-11

### MEASUREMENT & ORDER CODE

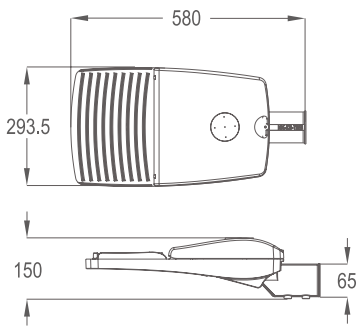
WATTAGE	ORDER CODE	NO. OF LEDS	LUMEN	CARTON DIMENSION (L x W x H) mm	NETT WEIGHT
60W	SIGMA-M 60W	32	8400	495 x 315 x 205	6.86 kg
90W	SIGMA-M 90W	48	12600	495 x 315 x 205	7.05 kg
100W	SIGMA-M 100W	48	14000	495 x 315 x 205	7.22 kg
120W	SIGMA-M 120W	72	17460	495 x 315 x 205	7.22 kg
150W	SIGMA-M 150W	72	21385	495 x 315 x 205	7.30 kg

\* All result tested base on 4000K CCT LEDs.

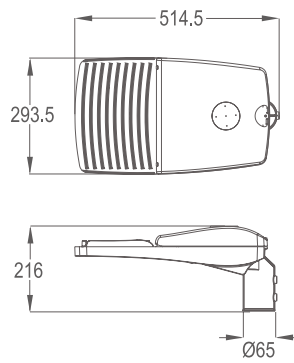


## DIMENSION

SIGMA-M-Side Entry

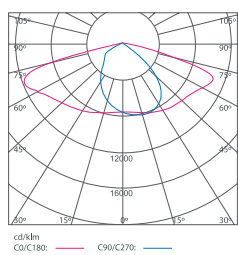


SIGMA-M-Post Top

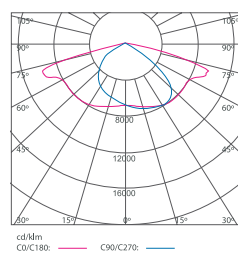


## PHOTOMETRIC

Type II



Type III



Note: All specifications are subject to change without prior notice for product improvement. Images are for illustrative purposes only.



### LUMINAIRE SPECIFICATIONS

• Power	SIGMA-L 180W SIGMA-L 200W
• Enclosure Material	Die Cast Aluminium
• Optical Cover	95% Transparency Tempered Glass
• Gasket Material	Silicone Rubber Foam
• Fitting Color	Dark Grey Durable Polyester Epoxy Powder Coating
• Operating Temperature	-30 ~ +50°C
• Input Voltage	220 ~ 240 Vac 50 / 60 Hz
• Power Factor	>0.9
• Surge Protection Device (SPD)	20kV, 20kA (20kV, 25kA Upon Request)
• Insulation Classification	Class I
• Ingress Protection	IP66
• Impact Protection	IK09
• Spigot Mounting	0°-15° Tilting Ø48 - Ø60mm Post Top / Side Entry (Standard)

### APPLICATION

- Sigma L - Pedestrian Areas, Residential Areas, Rural Roads  
Urban Roads & Expressway Lightings

### LED MODULE SPECIFICATIONS

• LED Source	5050
• CCT	3000K Warm White 4000K Neutral White 5000K Cool White (Other CCT Upon Request)
• Lumen	≥140 lm / Watt
• CRI	Min 70
• L70	100,000 Hrs @ 25°C
• PCB Material	Metal Core (UL Certified)
• Lens (94% Efficiency)	Type II Type III

### COMPLIANCE STANDARD

• LED	Performance - LM80 Safety - UL Environmental - RoHS
• LED DRIVER	Electromagnetic Compatibility (EMC) - EN55015, IEC/EN61000 IEC/EN61547, IEC CISPR Safety - IEC/EN61347, EN62384
• LUMINAIRE	Safety - IEC60598-1, IEC60598-2-3, IEC62471, IEC62031 Electromagnetic Compatibility (EMC) - IEC62471, IEC61000, IEC61547, IEC62493 Performance - LM79, IEC62722
• SPD	Safety - IEC61643-11

### MEASUREMENT & ORDER CODE

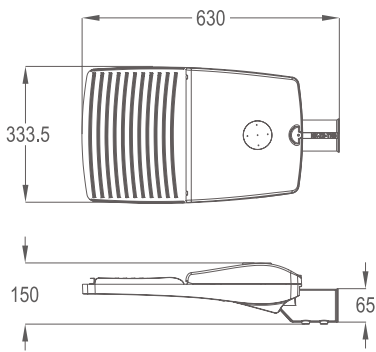
WATTAGE	ORDER CODE	NO. OF LEDS	LUMEN	CARTON DIMENSION (L x W x H) mm	NETT WEIGHT
180W	SIGMA-L 180W	96	25710	545 x 350 x 205	8.00 kg
200W	SIGMA-L 200W	96	29650	545 x 350 x 205	8.00 kg

\* All result tested base on 4000K CCT LEDs.

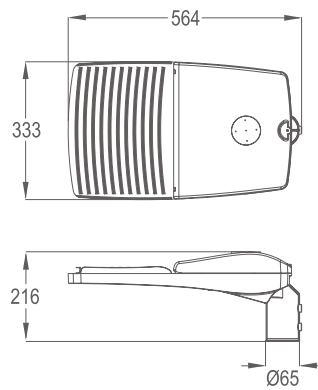


## DIMENSION

SIGMA-L-Side Entry

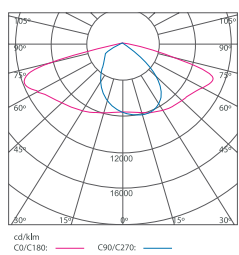


SIGMA-L-Post Top

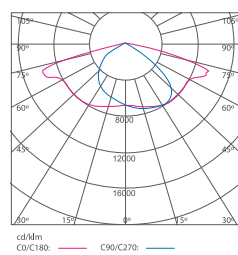


## PHOTOMETRIC

Type II



Type III



Note: All specifications are subject to change without prior notice for product improvement. Images are for illustrative purposes only.